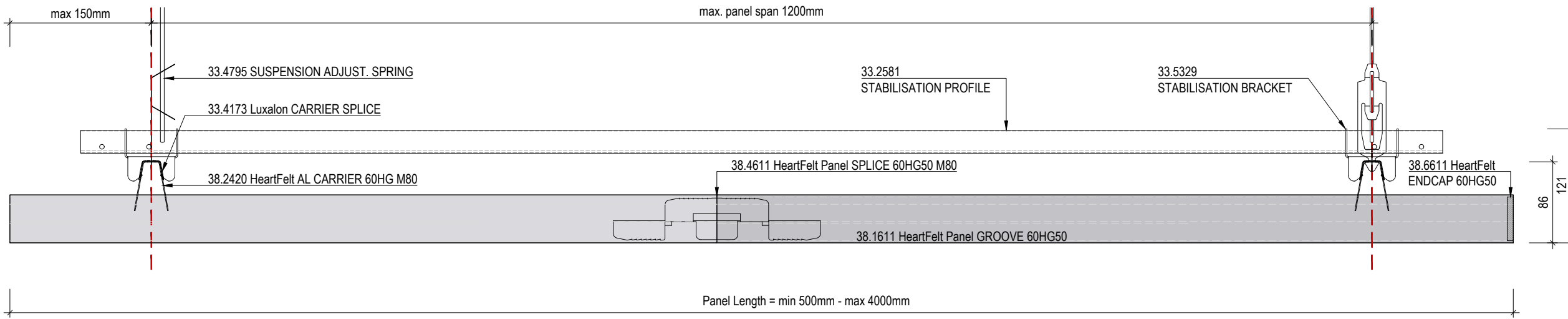
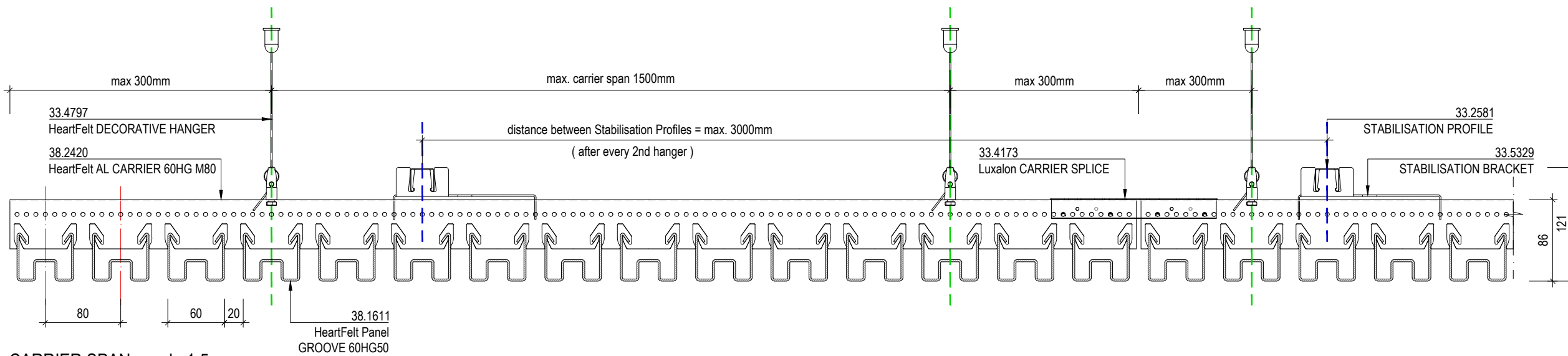


**APPLICATION - HEARTFELT Panel GROOVE 60HG50 M80**



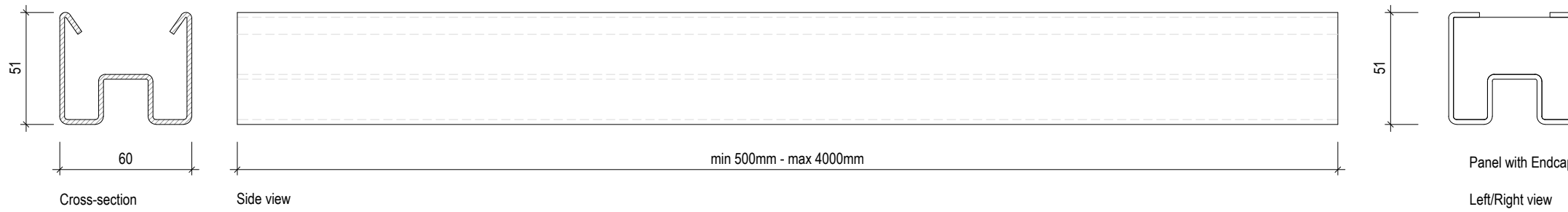
**PANEL SPAN** scale 1:5



**CARRIER SPAN** scale 1:5

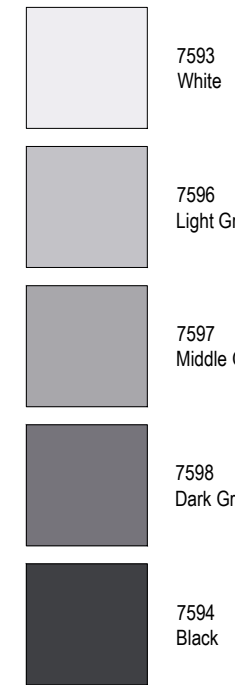
Drwg.No.	Date:	Scale:
C-i-HeartFelt-Groove-2D	01.12.2023	1:5
- Application	Size:	Rev:
	A3	-
Subject: Interior HeartFelt Groove Ceiling		

**38.1611**  
**HeartFelt Panel GROOVE 60HG50**

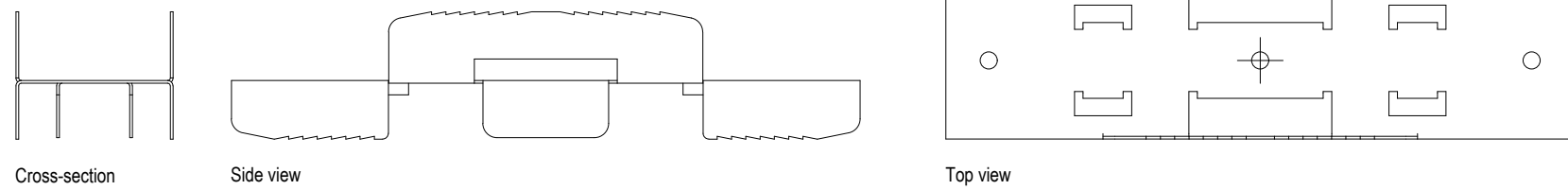


Colour samples **HeartFelt LINEAR 60HR50**

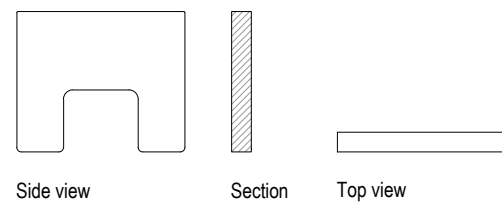
'Shades of Grey'



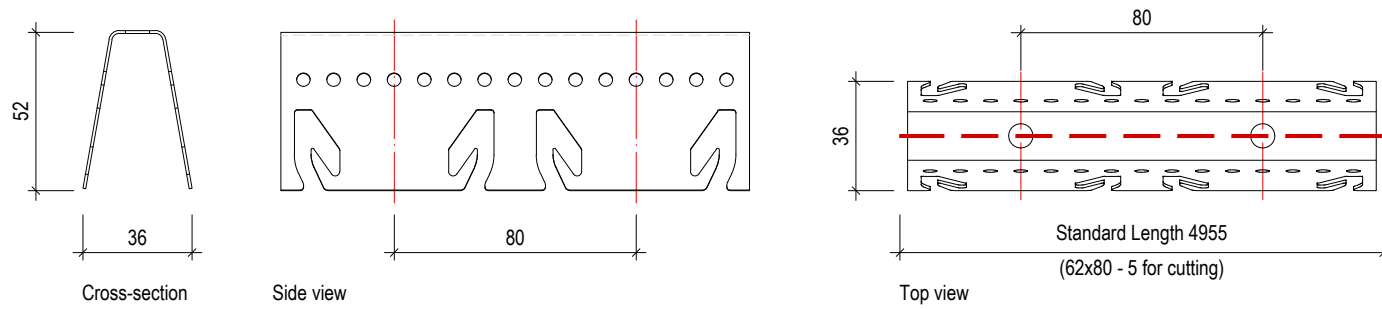
**38.4611**  
**HeartFelt GROOVE SPLICE 60HG50**



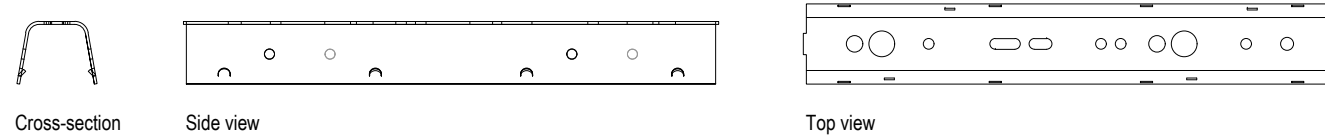
**38.6611**  
**HeartFelt ENDCAP 60HG50**



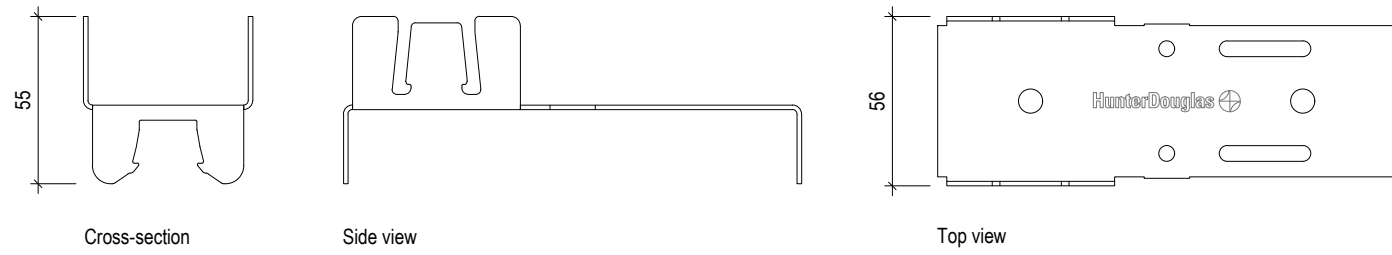
**38.2420**  
**HeartFelt AL CARRIER 60HG M80**



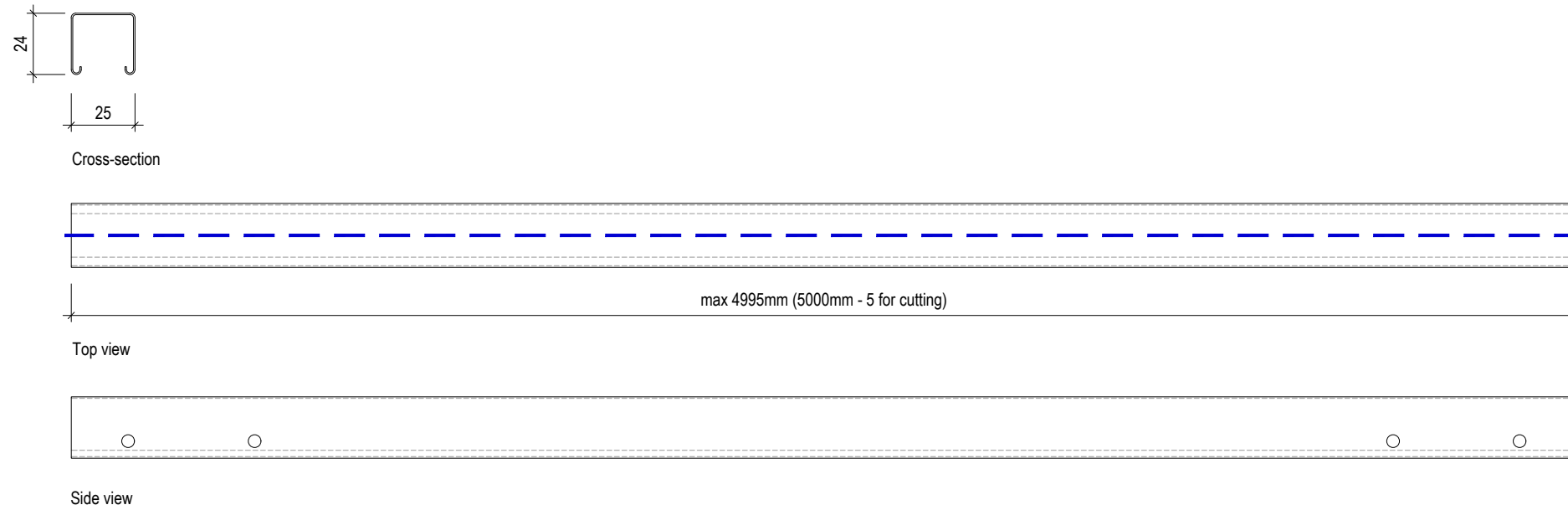
**33.4173**  
**Luxalon CARRIER SPLICE**



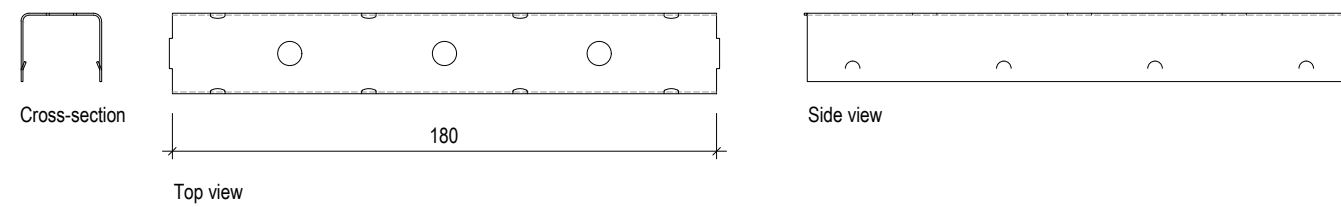
**33.5329**  
HeartFelt AL STABILISATION BRACKET



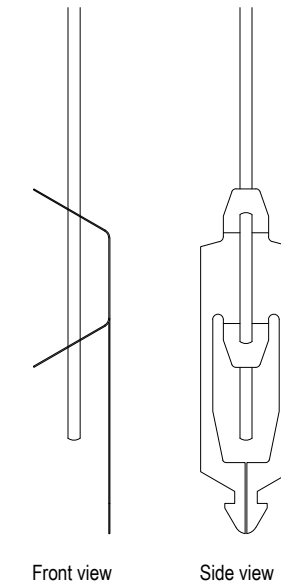
**33.2581**  
FE STABILISATION PROFILE



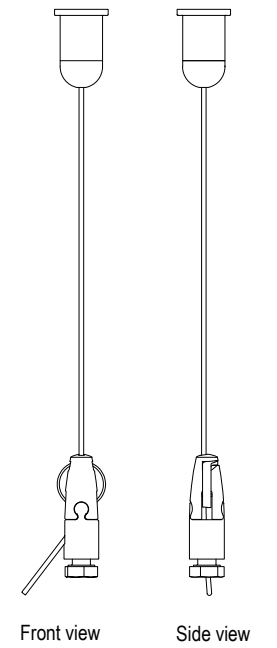
**33.4580**  
COMBI CARRIER SPLICE FE



**33.4795**  
SUSPENSION ADJUST. SPRING  
( see rod. hanger ref.)



**33.4797**  
HeartFelt DECORATIVE HANGER



Drwg.No. C-i-HeartFelt-Groove-2D - Accessories	Date: 01.12.2023	Scale: 1:2,5
	Size: A3	Rev: -
Subject: Interior HeartFelt Groove Ceiling		